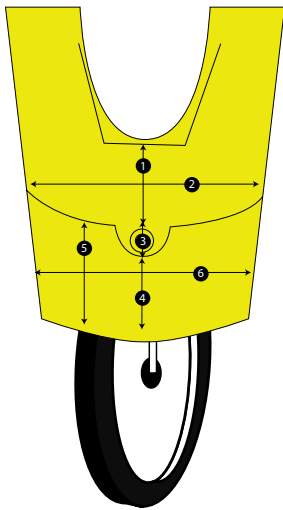
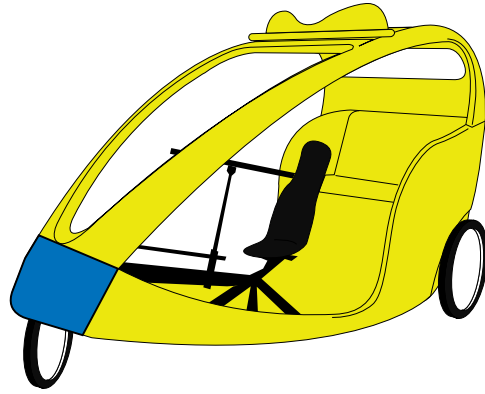


# Solar Cab Branding Specs

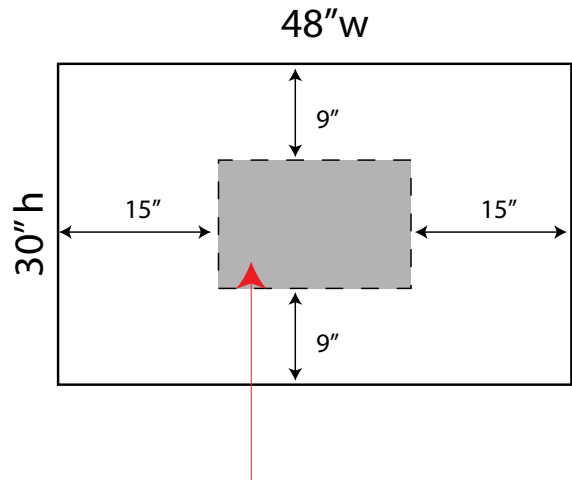
*Due to the number of angles and curves on the vehicle, full wrap registration is not an option. Please set up graphics within safety areas designated, place elements on a common solid color or small pattern background and bleed background to edge of document. Avoid gradations or text which require registration of the full unit.*



# Front Panel

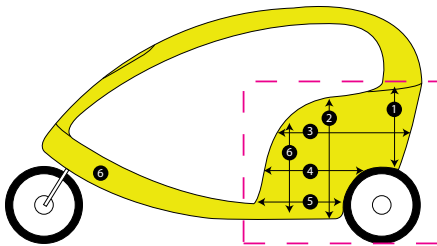
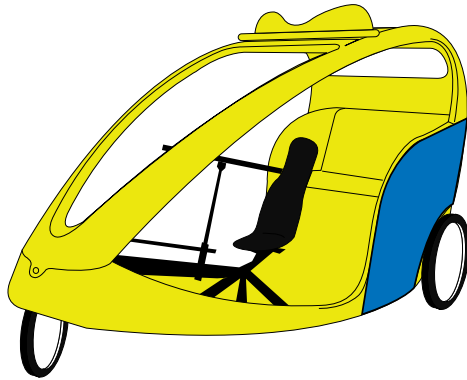


- 1 6.5"
- 2 21"
- 3 2.125"
- 4 4.25"
- 5 8.25"
- 6 20"

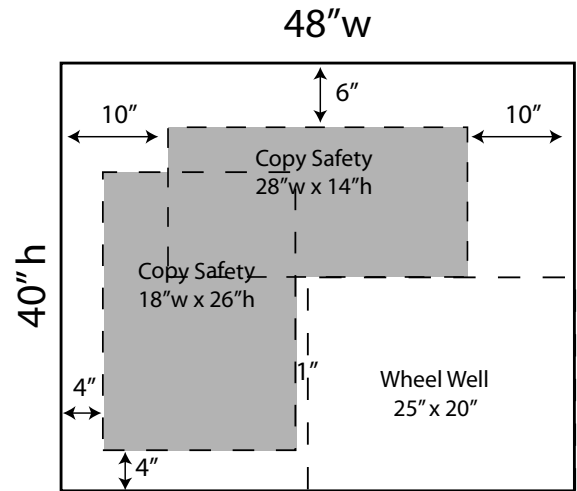


Copy Safety is 18" w x 12" h  
Elements within safety  
Place bleed background to fill document

# Left Panel



- 1 20.5"
- 2 36"
- 3 42.5"
- 4 28"
- 5 23"
- 6 30"



Copy Safety

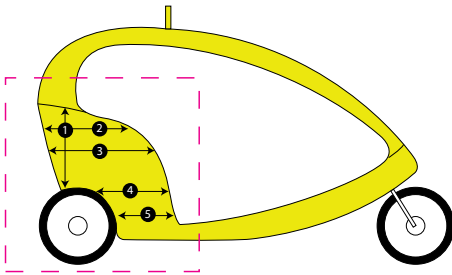
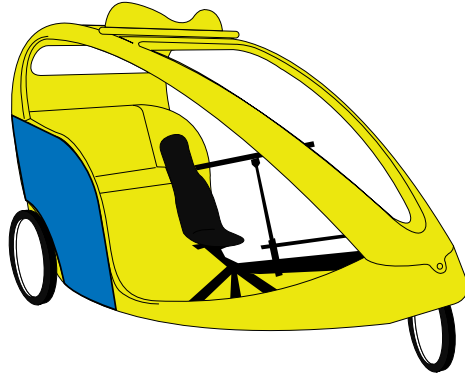
Option 1: 28" w x 14" h

Option 2: 18" w x 26" h

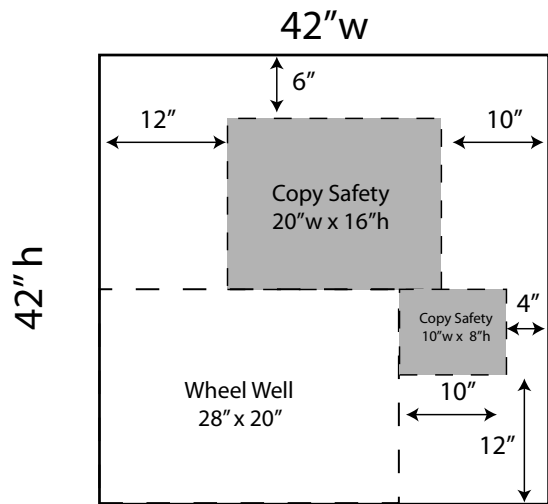
Position Elements inside safety.

Bleed Background color to fill full 40" x 48" document.

# Right Panel

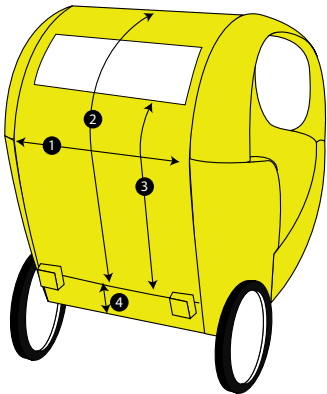
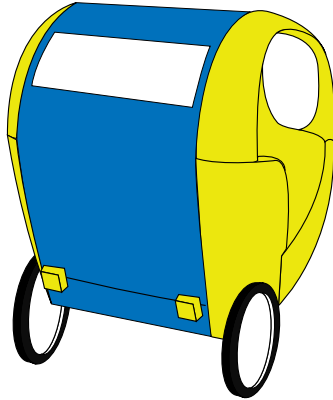


- ❶ 21.5"
- ❷ 29"
- ❸ 29.5"
- ❹ 17.5"
- ❺ 10"

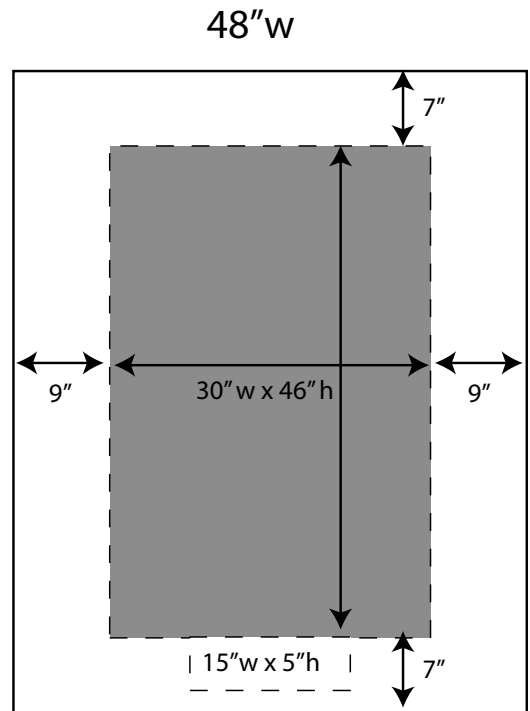


Copy Safety is 20" w x 16" h  
 Bleed background color to fill  
 42" x 42" Document.  
 Additional elements may be placed in  
 10" w x 8" h box in front of wheel well.

# Back Panel



- ① 31.25
- ② 53"
- ③ 35"
- ④ 7"



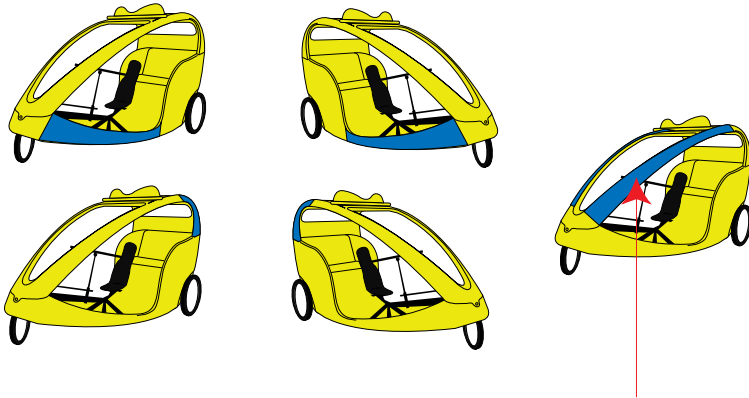
Copy Safety is 30" w x 46" h  
 Below window safety is 30" x 34"  
 Tail light safety is 15"w x 5"h  
 Place elements in safety  
 Bleed background to fill document

# Background Panel

The background panel is designed for the best use of material & to give the installer some freedom in how he wants to cut it up to cover the top & bottom curves as well as blank area. Set up one 48" X 120" document with the same background color or small pattern used on other panels.

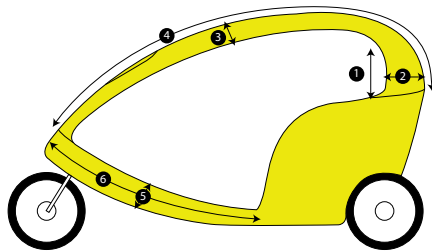
Please note: Pattern cannot be registered - Must be small or random elements

48"w



Optional Text, Place Here  
For optional text line, Supply Illustrator file  
not to exceed 95" w x 4" h

120"h



- ① 18.5
- ② 13.25"
- ③ 4.5"
- ④ 136"
- ⑤ 9"
- ⑥ 65"